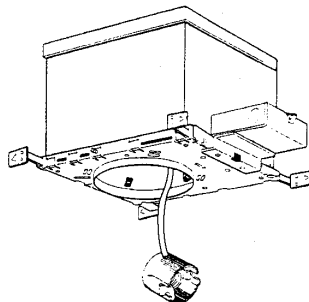
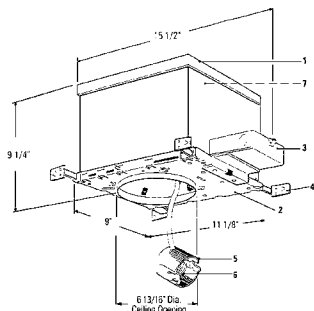


Lytecaster® Recessed Downlighting **1100DAICM**



Frame-in Kit



Reflector Trim

Complete Fixture consists of Reflector Trim & Frame-In Kit. Select each separately.

Frame-In Kit	Reflector Trims — See Individual Reflector Trim Specification Sheets								
	Open Downlight					Adjustable		Enclosed Diffuser	Wall Washer
1100DAICM	Reflector	Satin Cone	Baffles	Basic White	Cross Blade	Recessed Line Volt.	Recessed Low Volt.		
	1143	1108†	1105†	1170M1	1132	1127†	1152	1121	1135
	1144	1110†	1105WH	1171		1127BNM	1155	1124	1135WH
	1144CD		1176			1127BK†	1155WH	1126	1185
	1145		1176WH			1127WH	1161	1128	1186
	1146		1179M1			1127CD†	1161WH	1134	1186WH
	1146CD		1179WH			1129†	1163	1177SH	1195
			1105BNM			1129CD†	1164	1178SH	1196
						1129WH		1190	1196CD
						1129CL†			
						1129BK†			
						1129GD†			
						1138†			
						1148†			
						Eyeball:			
						1122			
						1122WH			
						1123			
						1123WH			
						1182			

†Add NM to catalog number for Natural Metal flange finish.

Features

- Housing:** Walls .032" aluminum. Cover .026" galvanized steel. UL listed for direct contact with thermal insulation. AirSeal® housing minimizes air leakage to less than 2 CFM at 1.57 PSF, which complies with Model Energy Code (Section 602.3.3) and the Washington State Energy Code (Section 502.4) and reduces heat loss and condensation in ceiling. Access door for inspection of junction box.
- Mounting Frame:** .036 (#20 ga.) galvanized steel. Accommodates all ceilings up to 1" thick. 3/8" deep integral lip. Four slots are positioned 90° apart to simplify alignment. Push-in/twist-out rotoclips hold reflector flush to ceiling.
- Junction Box:** 2" X 4" X 4": .063" (#14 ga.) galvanized steel. UL listed for maximum of 6 No. 12 ga., 90° C through branch circuit conductors. Quick release "L" shaped cover for outside access to wiring. Access door inside of housing allows easy inspection of wiring without removal of housing. Integral cable clamps permit attachment of nonmetallic, Romex® without the need for additional connectors.
- Mounting Bars:** .059" (#16 ga.) galvanized steel. Bars pivot for easy attachment and wire-in below ceiling line. Bars extend to accommodate 16" to 24" O.C. joist spacing and feature integral nail for secure attachment to wood construction. Attaches to T-bar ceilings without the need of accessories.
- Socket Housing:** Galvanized steel.
- Socket:** Porcelain medium base; nickel plated screw shell. Pre-wired with #18 ga. SF1 leads to junction box.
- Thermal Protector:** Meets NEC and UL requirements. Located inside housing.

Options & Accessories

Extra-Thick Ceiling Mounting Ring: 1967A - up to 2" thick ceiling.

Options & Accessories (continued)

277V Remote Step-Down Transformer: 7997 - 277V down to 120V
300W max. load

Labels

UL Type I.C. (Suitable for Damp Locations);
Complies with Air Leakage Requirements as stated in the Model Energy Code, California Title 24 and the Washington State Energy Code.

AirSeal® is a registered trademark of Lightolier.
Romex® is a registered trademark of General Cable Industries Inc.

US Patent Nos. 4,313,154; 5,045,985; 4,751,624

Job Information	Type:
Job Name:	
Cat. No.:	
Lamp(s):	
Notes:	

Lightolier a Genlyte company www.lightolier.com
631 Airport Road, Fall River, MA 02720 • (508) 679-8131 • Fax (508) 674-4710
We reserve the right to change details of design, materials and finish.
© 2006 Genlyte Group LLC • G1107